

TRAY x 1



L CLIP x 2



BALL CLAMP(L)x2



S ARM(L) x 1



ARROW CLIP x 3



BALL CLAMP(R)x2



S ARM(R) x 1



PROTECT PAD x 5



SCREW x 4



M ARM(L) x 1



KNOB x 1



KNOB x 1



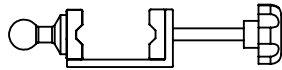
M ARM(R) x 1



KNOB x 7



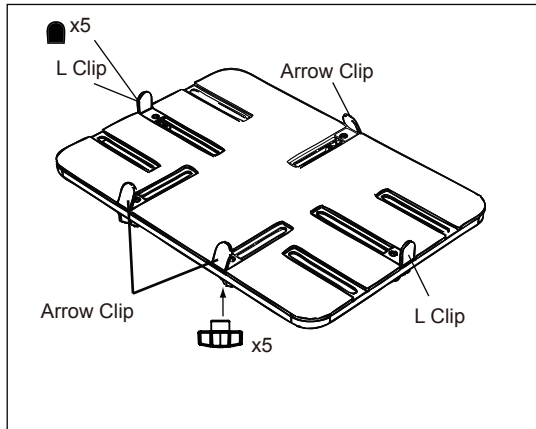
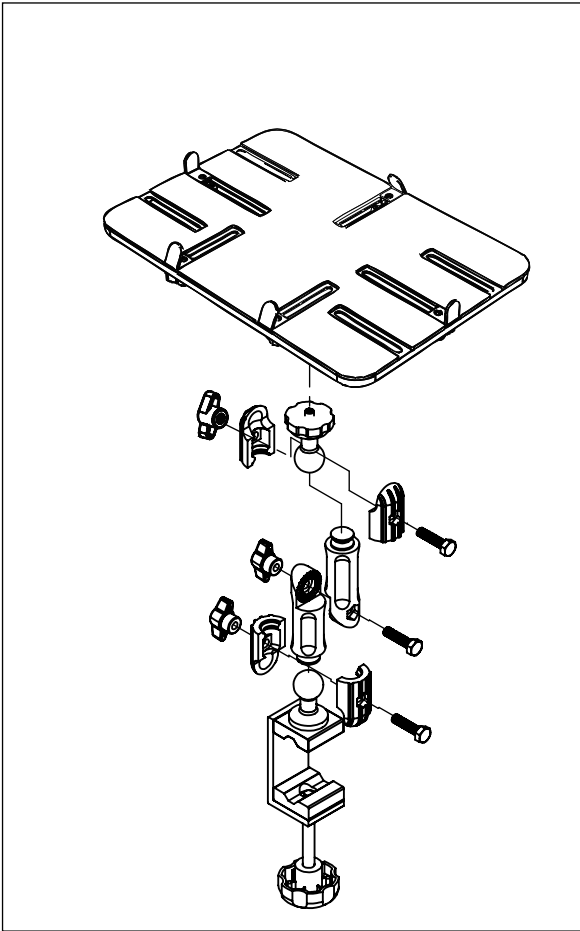
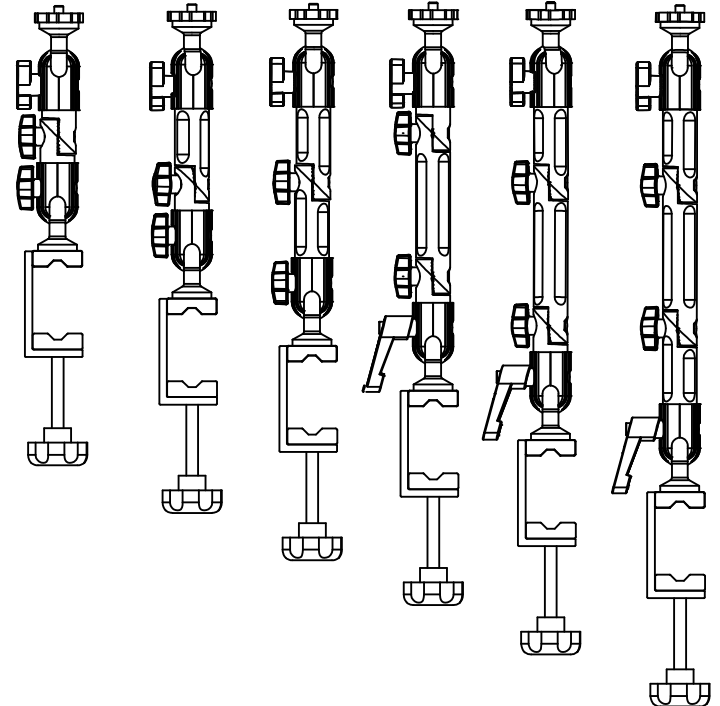
L ARM x 1



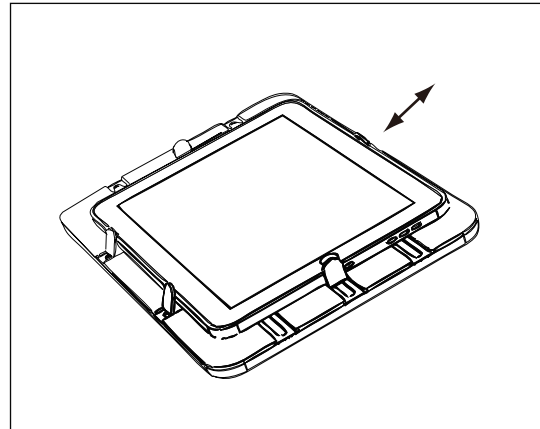
CLAMP x 1



BALL HEAD x 1



* Stick the L CLIPS and ARROW CLIPS with PROTECT PADS and screw onto the TRAY with KNOBS.



* Only adjust the upper TRAY KNOB to put on or take out the ipad or the other elec device. The TRAY can be install on any tripod.

CAUTION
Please surely fasten all the screws to the tightest when use the stand.
Max loading:1.5KG