



L CLIPx2



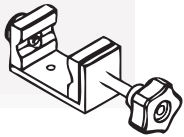
ARROW CLIPx3



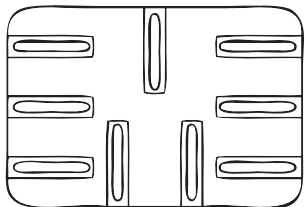
KNOBx5



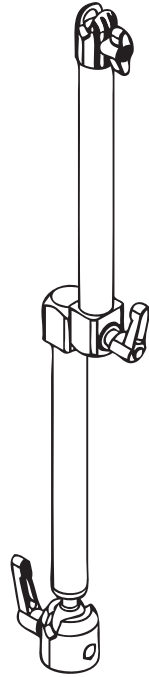
PROTECT PADx5



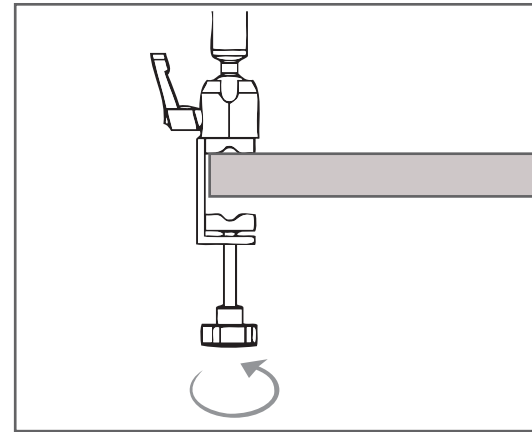
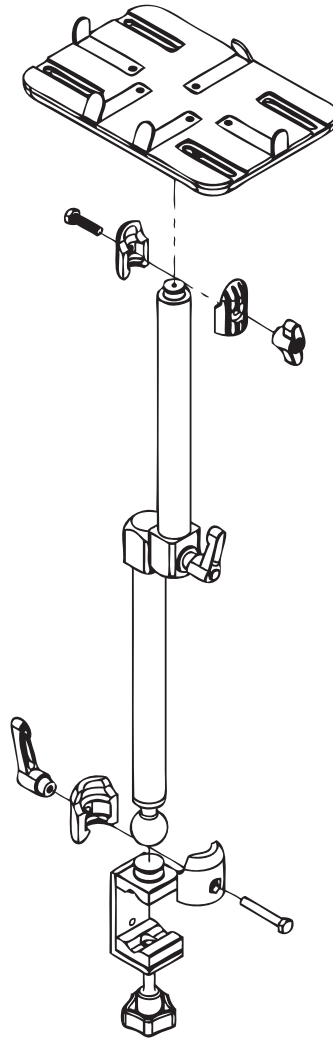
CLAMPx1



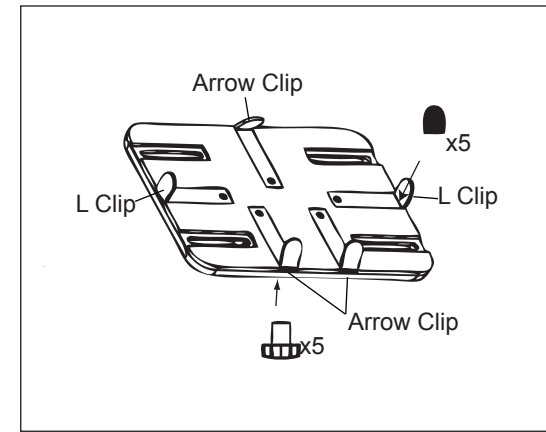
TRAYx1



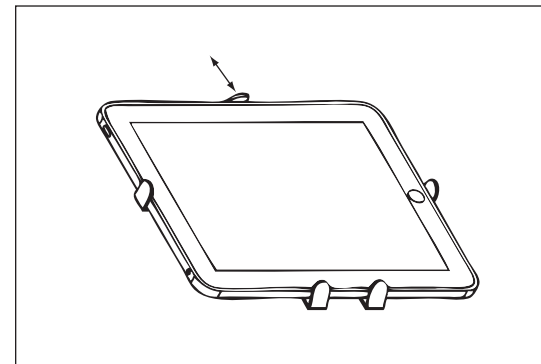
ARMx1



1. Turn the grip so the clamp can hold flat shapes (etc.table,desk)and round tubes.



2. Stick the L CLIPS and ARROW CLIPS with PROTECT PADS and screw onto the TRAY with KNOBS.



3. Only adjust the upper TRAY KNOB to put on or take out the ipad or the other elec device.  
The TRAY can be install on any tripod.

### CAUTION

\*Please surely fasten all the knobs when use the stand. use the stand.

\*Not for use while driving.

Max loading : 1.5KG



L CLIPx2



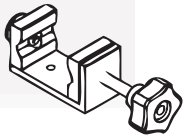
ARROW CLIPx3



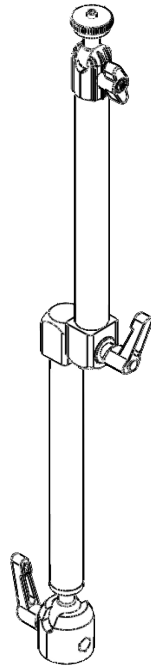
KNOBx5



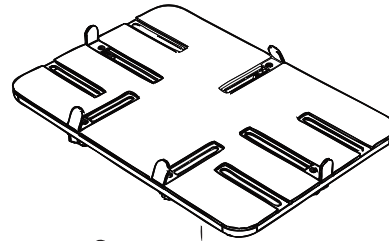
PROTECT PADx5



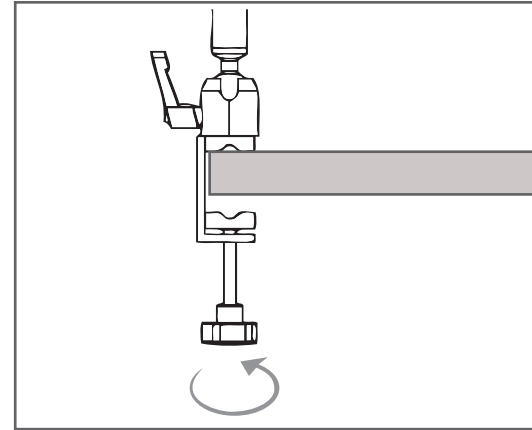
CLAMPx1



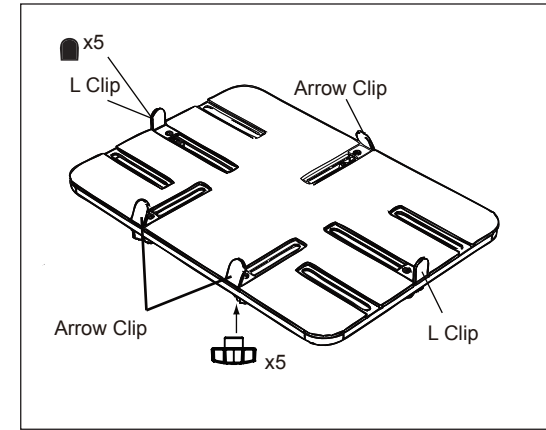
ARMx1



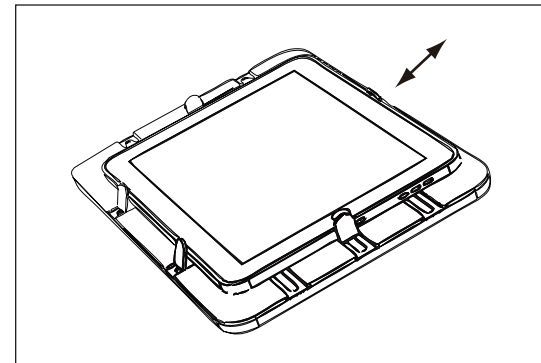
TRAYx1



1. Turn the grip so the clamp can hold flat shapes (etc.table,desk)and round tubes.



2. Stick the L CLIPS and ARROW CLIPS with PROTECT PADS and screw onto the TRAY with KNOBS.



3. Only adjust the upper TRAY KNOB to put on or take out the ipad or the other elec device. The TRAY can be install on any tripod.

### CAUTION

\*Please surely fasten all the knobs when use the stand. use the stand.

\*Not for use while driving.

Max loading : 1.5KG