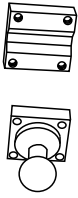


INSTALL STEPS



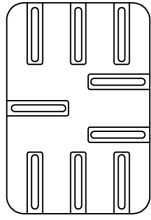
ARM



BASE A



BASE B



TRAY



HEX KEYx1 M4x25 SCREWx4



KNOBx5 PROTECT PADx5



L CLIPx2 ARROW CLIPx3

INSTALL STEPS



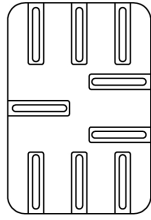
ARM



BASE A



BASE B



TRAY



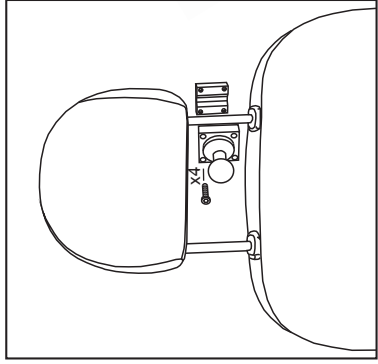
HEX KEYx1 M4x25 SCREWx4



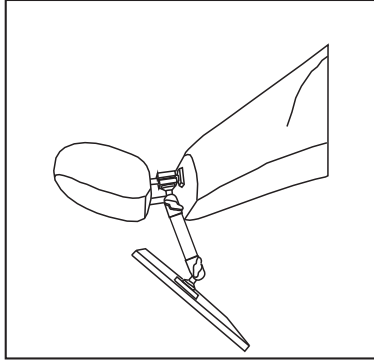
KNOBx5 PROTECT PADx5



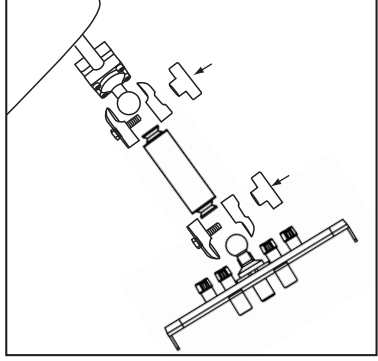
L CLIPx2 ARROW CLIPx3



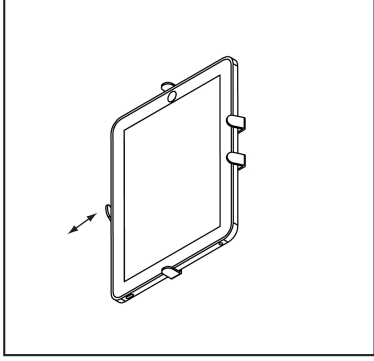
1. Screw the BASE A and BASE B on the headrest support with 4 BASE SCREWS.



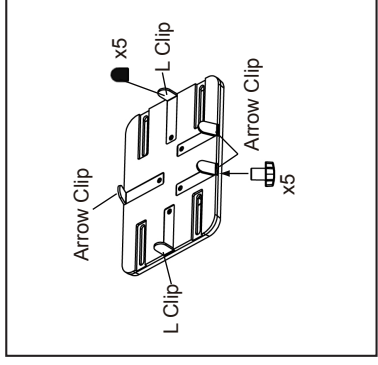
4. Screw the TRAY with ARM and adjust the knobs to make TRAY into perfect position.



2. Combine the BASE A with ARM by switching BASE KNOB.



5. Only adjust the upper TRAY KNOB to put on or take out the tablet or any other device.



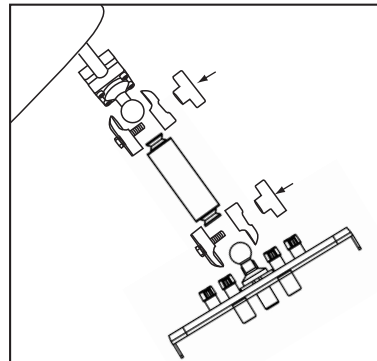
3. Stick the L CLIPS and ARROW CLIPS with PROTECT PADS and screw onto the TRAY with KNOBS.

CAUTION

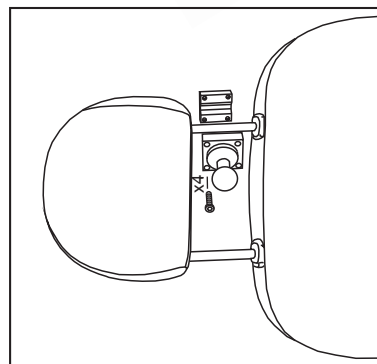
*Please be sure to fasten all the screws to the tightest when using the stand.

*Not for use while driving.

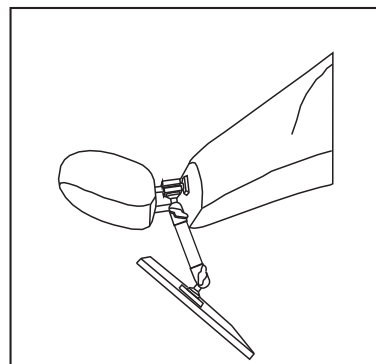
Max loading :1KG



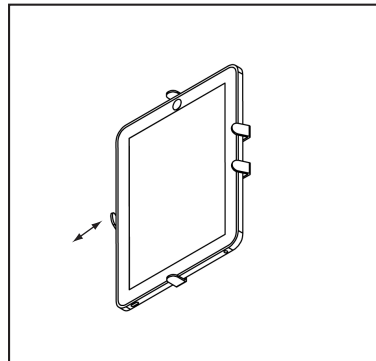
2. Combine the BASE A with ARM by switching BASE KNOB.



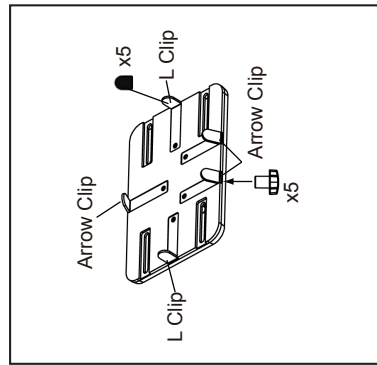
1. Screw the BASE A and BASE B on the headrest support with 4 BASE SCREWS.



4. Screw the TRAY with ARM and adjust the knobs to make TRAY into perfect position.



5. Only adjust the upper TRAY KNOB to put on or take out the tablet or any other device.



3. Stick the L CLIPS and ARROW CLIPS with PROTECT PADS and screw onto the TRAY with KNOBS.

CAUTION

*Please be sure to fasten all the screws to the tightest when using the stand.

*Not for use while driving.

Max loading :1KG