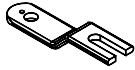
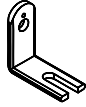






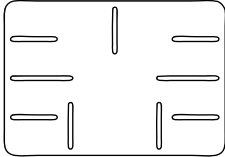
PARTS-A

		
180° BRACKETx1	90° BRACKETx1	45° BRACKETx1
		
SCREW M10x12Lx1	HEX KEYx1	BASEx1

PARTS-B

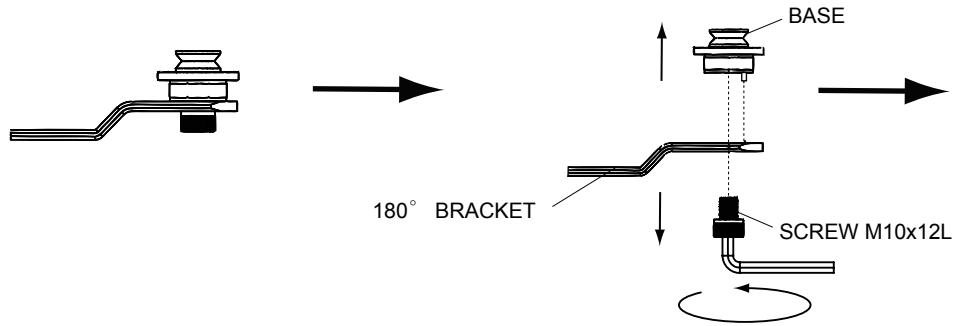
			
PROTECT PADx10	KNOBx5	ARROW CLIPx3	L CLIPx2

PARTS-C


TRAYx1

CAUTION
 *Please be sure to fasten all the screws to the tightest when using the stand.
 *Not for use while driving.
 Max loading : 1KG

PARTS-A
 INSTALLATION GUIDE



Please refer to installation steps in the back.

Loose the bolt with hex key.