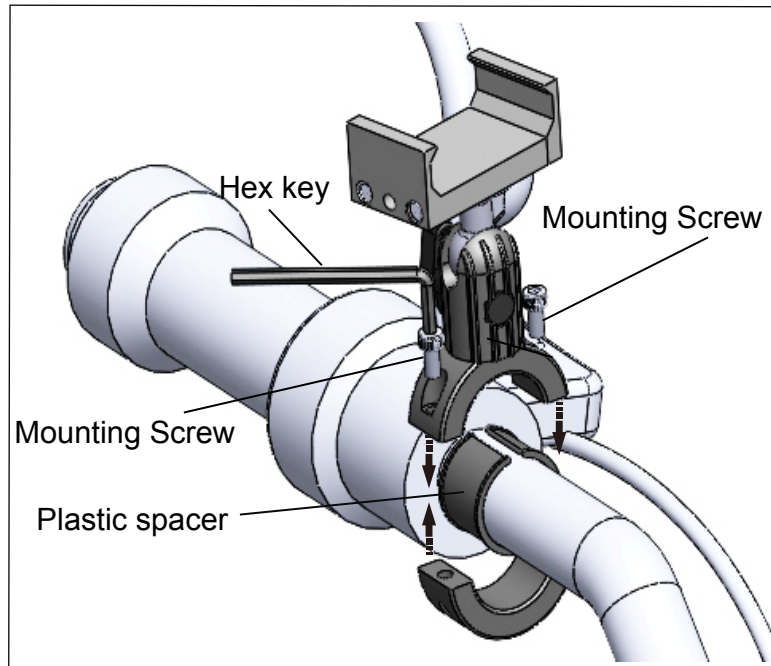
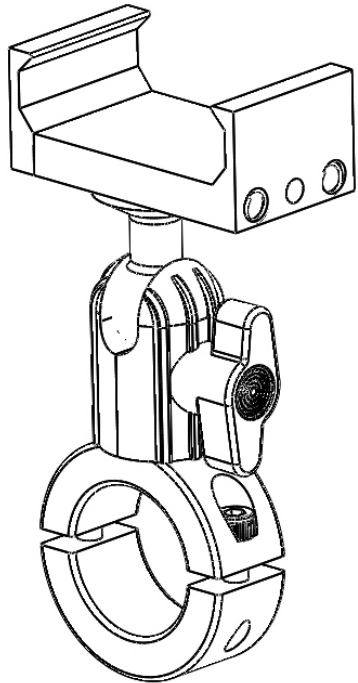
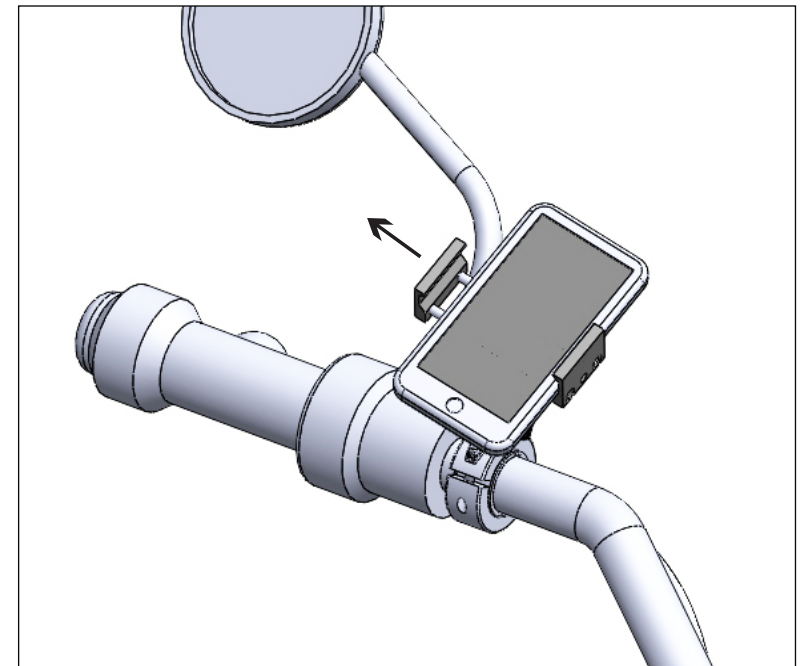


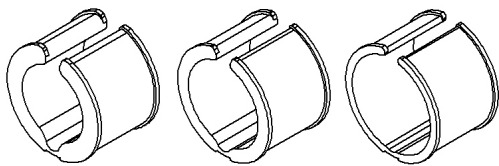
# INSTALL STEPS



STEP 1: Choose one plastic spacer to fit handle bar. Attach mount to handle bar around spacer. Use the hex key to secure mounting screws.



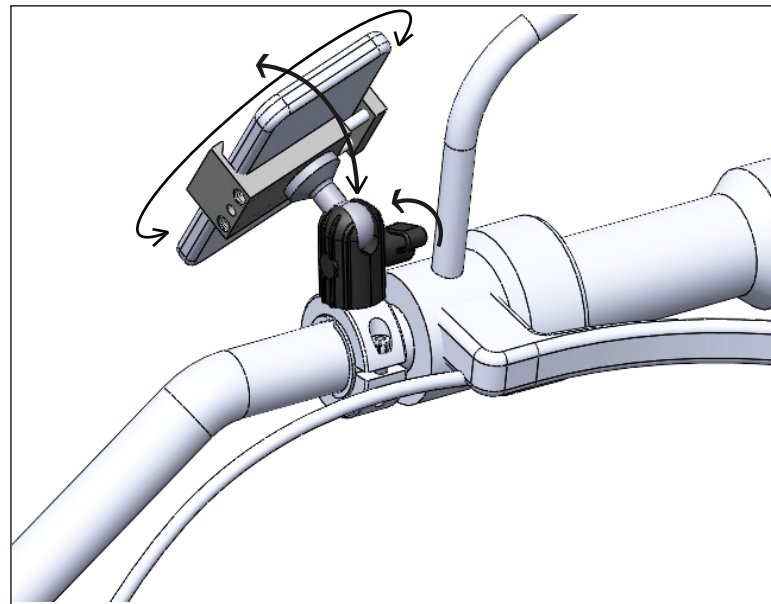
STEP 2 : Place cellphone onto grip.



Plastic spacer x 3

Hex key x 1

Screw x 2



STEP 3 : Adjust cellphone mount position as desired by loosening knob. Make sure every knob and screw fully tightened and secured before use.

## CAUTION

\*Please surely fasten all the screws to the tightest when use the mount.

\*Not for use while driving.